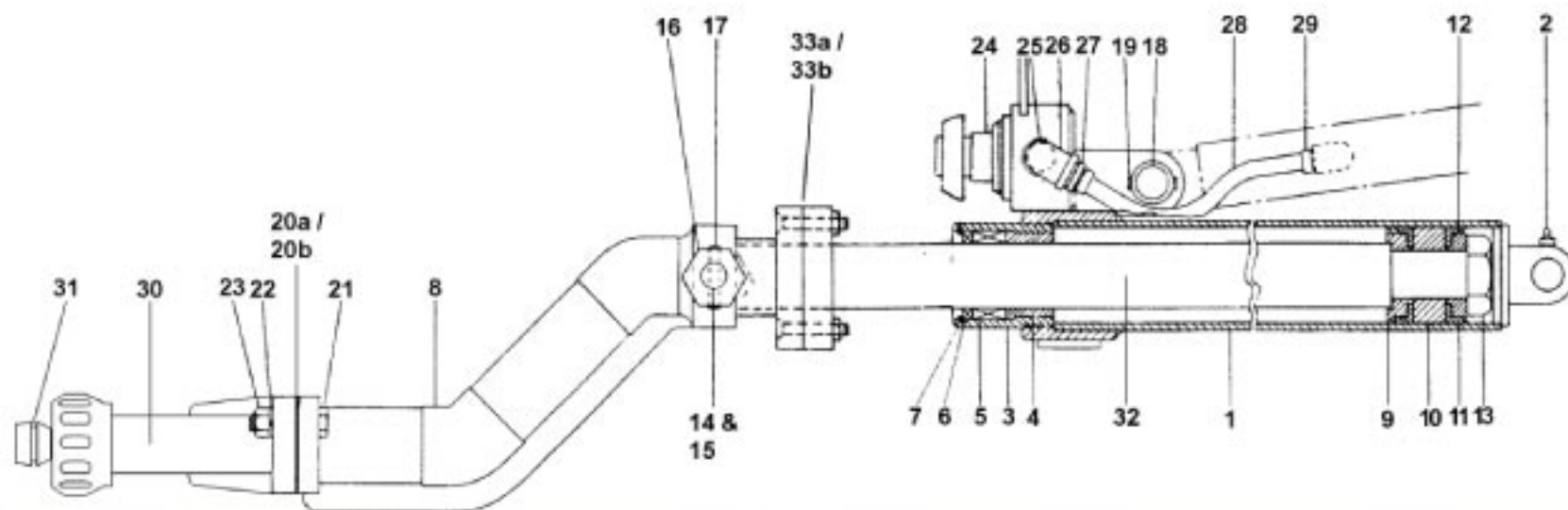


Long Tom

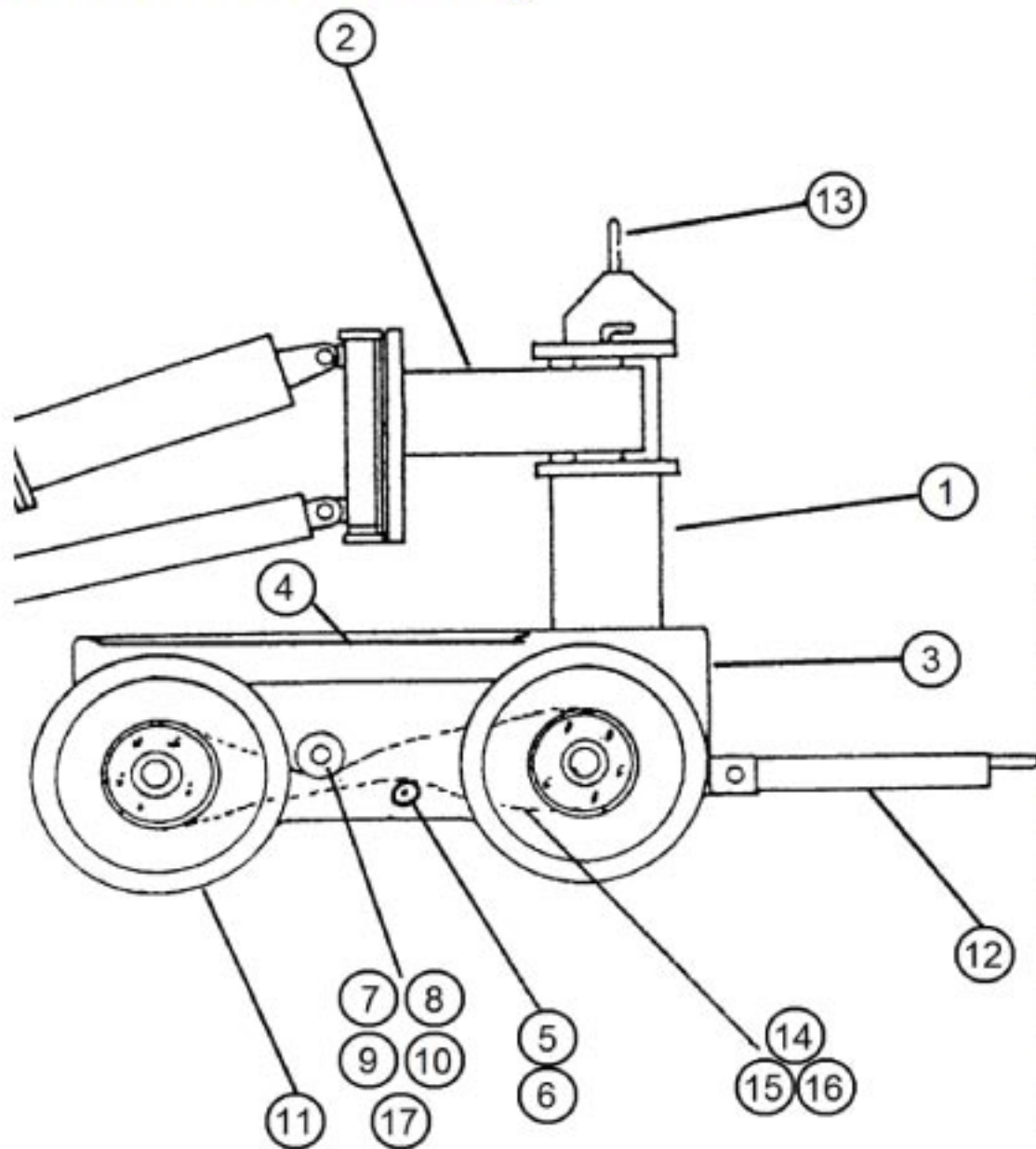
W-2619 Leg Cylinder Assembly



| Ref. No. | Part No. | Description | Qty |
|----------|-----------|---|-----|
| 1 | X-1656 | Leg Cylinder, Bare | 1 |
| 2 | 1610 | Alemite Fitting | 1 |
| 3 | Y-1252 | Packing Cap | 1 |
| 4 | Y-271 | Piston Rod Bearing | 1 |
| 5 | Y-274 | Set Rod Packing (Molythane) | 1 |
| 6 | 275-4HD2 | Rod Wiper | 1 |
| 7 | 5000-275 | Retaining Ring | 1 |
| 8 | WB-2501-2 | Gooseneck | 1 |
| 9 | W-2590 | Inlet Cup Follower, 12" Long | 1 |
| 9* | Y-1237 | OPTIONAL: Inlet Cup Follower, 13/16" Long | 1 |
| 10 | Y-1238 | Piston Head (Brass Guide) | 1 |
| 11 | Y-1241 | Cup Packing (Molythane) | 2 |
| 12 | Y-1236 | Cup Follower | 1 |
| 13 | Y-1250 | Rod Nut | 1 |
| 14 | Y-1745 | Reverse Valve | 1 |
| 15 | 6227-11 | *O* Ring (Feed / Reversing Valve) | 3 |
| 16 | Y-2030-A | Valve Handle - short, no pin | 1 |
| 16 | Y-2030-B | Valve Handle - long, w / pin | 1 |
| 16 | Y-2030-C | Valve Handle - long, w / pin & extension handle | 1 |

| Ref. No. | Part No. | Description | Qty |
|----------|-----------------|-----------------------------------|-----|
| 17 | 59-048-250-1750 | Roll Pin | 2 |
| 18 | Y-1647 | Leg Lift Pin | 1 |
| 19 | 59-077-375-1500 | Roll Pin | 1 |
| 20a | Y-1384 | Gasket (or use 20b)* | 1 |
| 20b | YJ-230 | O-ring (or use 20a)* | 1 |
| 21 | - | HEXCS 1/2" - 13 NC x 2-1/4" | 4 |
| 22 | - | 1/2" Mod. Pos. Lockwasher | 4 |
| 23 | - | Hex. Nut Reg SF 1/2" - 13 NC | 4 |
| 24 | J-213AC | Self-Relieving Pressure Regulator | 1 |
| 25 | - | 3/8" Close Nipple | 2 |
| 26 | - | 3/8" - 90° Elbow | 2 |
| 27 | - | 3/8" to 1/4" Hex. Bushing | 2 |
| 28 | 1525-4 | Aeroquip Hose, 7 1/4" Long | 2 |
| 29 | 4738-4-4B | Aeroquip Fitting | 4 |
| 30 | C-109HD | Heavy Duty Secan Drill Adapter | 1 |
| 31 | YJ-215 | *O* Ring | 1 |
| 32 | Y-1730 | Piston Rod (Bare) | 1 |
| 33a | Y-269 | Packing Cap Gasket (or use 33b)* | 1 |
| 33b | 2813002 | *O* Ring (or use 33a)* | 1 |

Long Tom Carrier Assembly

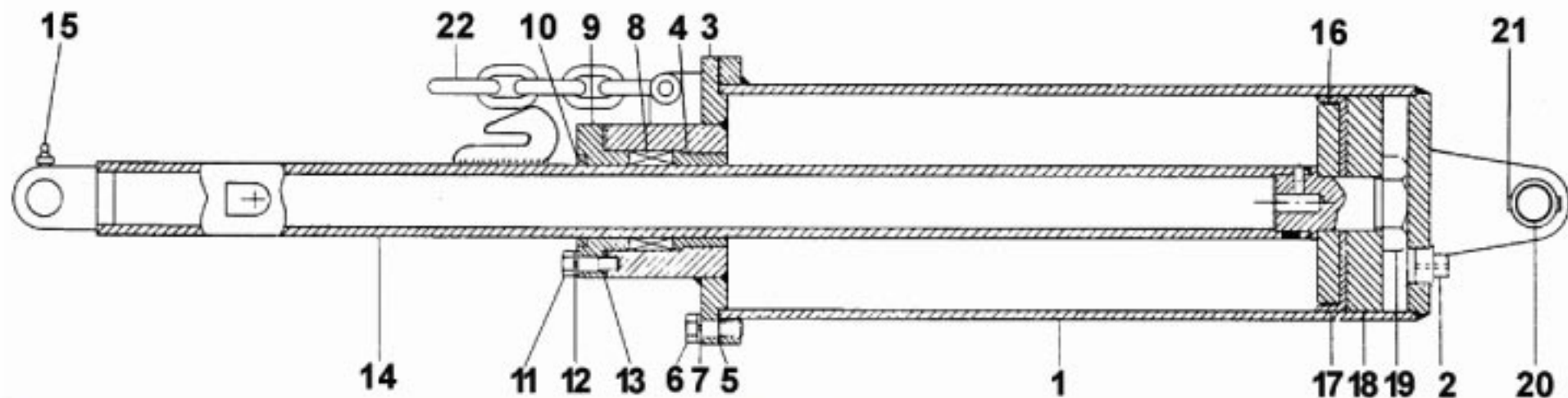


Your unit(s) may appear differently than depicted here.

| Ref. No. | Part No. | Description | Qty |
|----------|-----------|-----------------------------|-----|
| 1 | J-8240 | Turret Pedestal Weldment | 1 |
| 2 | J-8241 | Boom Mount - Hinge Weldment | 2 |
| 3 | | Main Frame Weldment | 1 |
| 4 | J-7804 | Main Frame Hatch | 2 |
| 5 | J-7844 | Idler Sprocket c/w Bushing | 4 |
| 6 | J-7900 | Idler Shafts | 4 |
| 7 | J-8202 | Drive Sprocket, Slotted | 2 |
| 8 | J-7858 | Drive Sprocket Cap, Keyed | 2 |
| 9 | J-7824 | Drive Gear Adapter Shaft | 2 |
| 10 | J-7724 | Adapter Shaft Spacer | 2 |
| 11 | JJ600X9 | Tire & Rim Assembly | 4 |
| 12 | J-7194 | Operator's Platform | 1 |
| 13 | J 3/4-4 | Trammig Valves | 2 |
| 14 | Y-8040 | Chain Assembly | 2 |
| 15 | Y-8040-1 | Master Link | 2 |
| 16 | Y-8040-2 | Half Link | 2 |
| 17 | NAF212-39 | Flange Bearing | 2 |

Long Tom

W-1672 Balance Cylinder Assembly

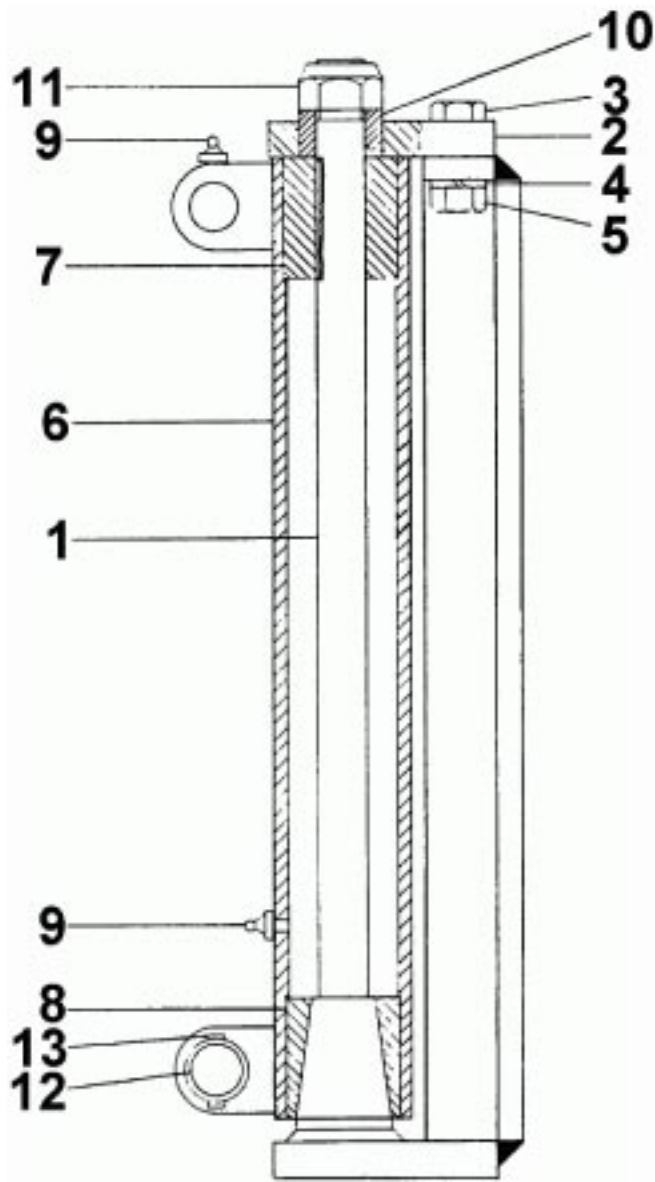


| Ref. No. | Part No. | Description | Qty |
|----------|----------|-----------------------------|-----|
| 1 | X-1642 | Balance Cylinder, Bare | 1 |
| 2 | Y-1263 | Pipe Plug | 1 |
| 3 | X-1671 | Cylinder Head | 1 |
| 4 | Y-271 | Piston Rod Bearing | 1 |
| 5 | Y-272 | Cylinder Head Gasket | 1 |
| 6 | - | HHCS 1/2" - 13 NC x 1-1/4" | 8 |
| 7 | - | 1/2" Med. Pos. Lockwasher | 8 |
| 8 | Y-274 | Set Rod Packing (Molythane) | 1 |
| 9 | Y-268 | Packing Cap | 1 |
| 10 | 250-G2 | Rod Wiper | 1 |
| 11 | - | HHCS 7/16" - 14 NC x 1-1/4" | 4 |

| Ref. No. | Part No. | Description | Qty |
|----------|-----------------|----------------------------|-----|
| 12 | - | 7/16" Med. Pos. Lockwasher | 4 |
| 13 | Y-269 | Packing Cap Gasket | 1 |
| 14 | Y-1257 | Piston Rod | 1 |
| 15 | 1610 | Alemite Fitting | 1 |
| 16 | Y-265 | Cup Follower | 1 |
| 17 | Y-266 | Cup Packing (Molythane) | 1 |
| 18 | Y-267 | Piston Head | 1 |
| 19 | Y-1250 | Rod Nut | 1 |
| 20 | Y-1646 | Pedestal Pin | 1 |
| 21 | 59-077-375-1500 | Roll Pin | 1 |
| 22 | - | Drop Lock Chain | 1 |

Long Tom

X-1674 Mounting Bracket Assembly



| <i>Ref. No.</i> | <i>Part No.</i> | <i>Description</i> | <i>Qty</i> |
|-----------------|-----------------|-------------------------------|------------|
| 1 | W-1511 | Mounting Plate, Bare | 1 |
| 2 | Y-1631 | Top Bearing Plate | 1 |
| 3 | - | HHCS 5/8" - 11 NC x 2" | 2 |
| 4 | - | 5/8" Med. Pos. Lockwasher | 2 |
| 5 | - | Hex. Nut Reg. SF 5/8" - 11 NC | 2 |
| 6 | X-1637 | Taper Lock Pedestal, Bare | 1 |
| 7 | Y-1282 | Top Bushing | 1 |
| 8 | Y-1283 | Taper Bushing | 1 |
| 9 | 1610 | Alemite Fitting | 2 |
| 10 | Y-1280 | Pedestal Pressure Ring | 1 |
| 11 | 49TU-168 | Nylon Insert Nut | 1 |
| 12 | Y-1647 | Pedestal Leg Pin | 1 |
| 13 | 59-077-375-1500 | Roll Pin 3/8 x 1-1/2 | 1 |